

# barista essentials

## KNOCK-OUT BOX SPECIFICATION

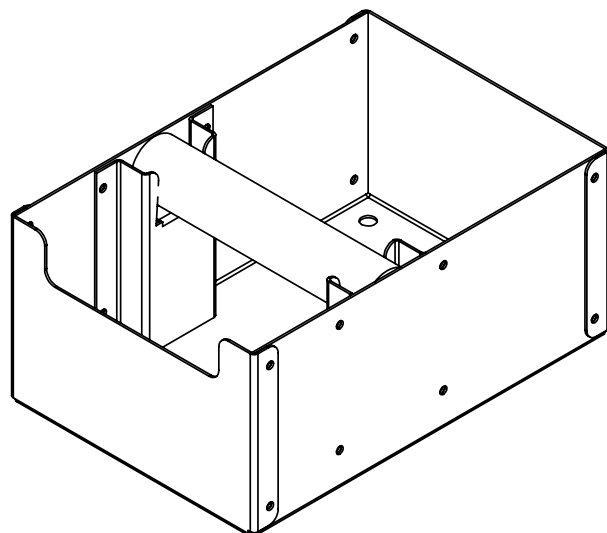
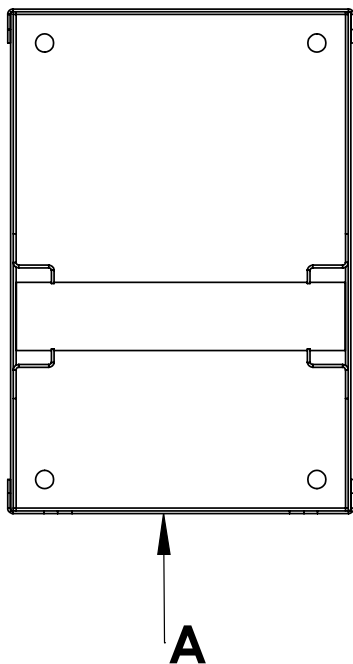
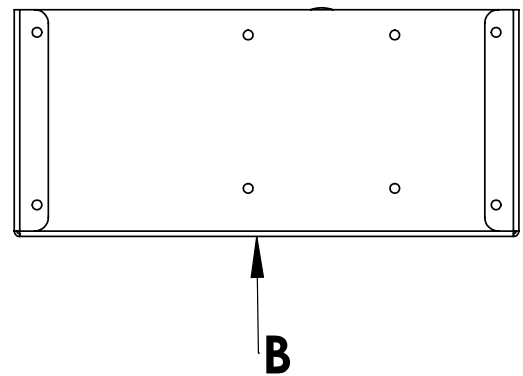
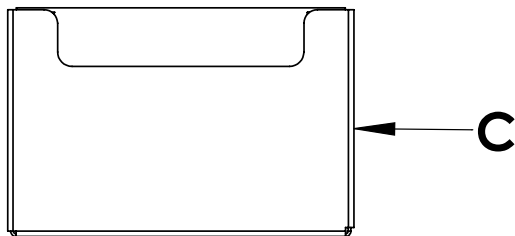
### DIMENSIONS.

#### KOB 1

A	15cm
B	22.5cm
C	10cm

#### KOB 2

A	20cm
B	28cm
C	10cm



[www.baristaessentials.ie](http://www.baristaessentials.ie)

Block K Unit 7 A, Ballymount Drive, Ballymount Industrial Estate, Dublin 12. IRELAND

CONTACT: T. 01 4606736 M. 087 2999900 EMAIL. tridentmfg@gmail.com